

- 5.90k CRCW06035K90FKEA
- 10.0k RC0603FR-0710KL
- 45.3k CRCW060345K3FKEA
- 41.2k RC0603FR-0741K2L
- 12.4k CRCW060312K4FKEA
- 24.3k RC0603FR-0724K3L

$V_{out} = 1.23V * (1 + R1/R2)$

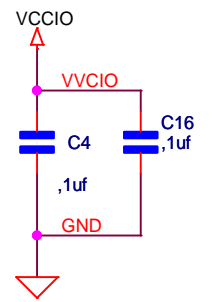
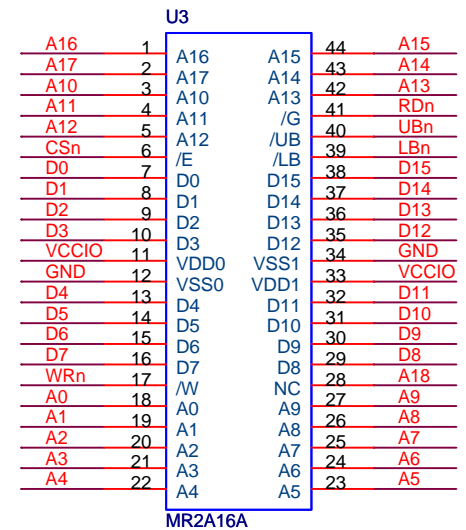
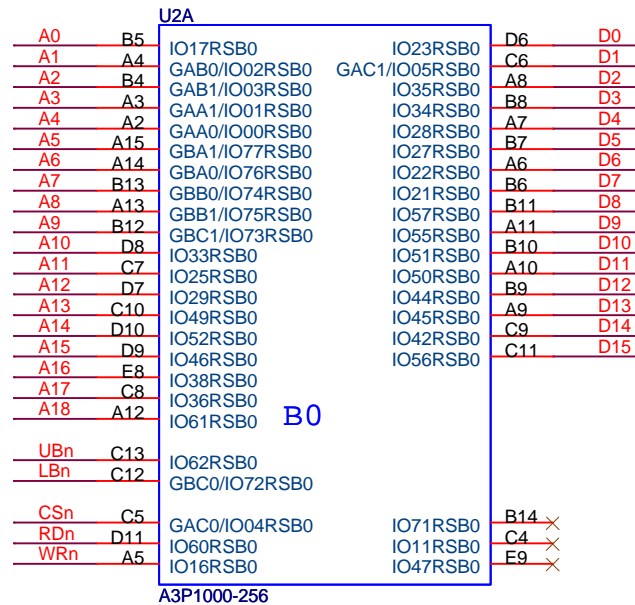
	1	2	3
1.5V	OFF	OFF	OFF
1.8V	ON	OFF	OFF
2.5V	OFF	ON	OFF
3.3V	ON	ON	ON

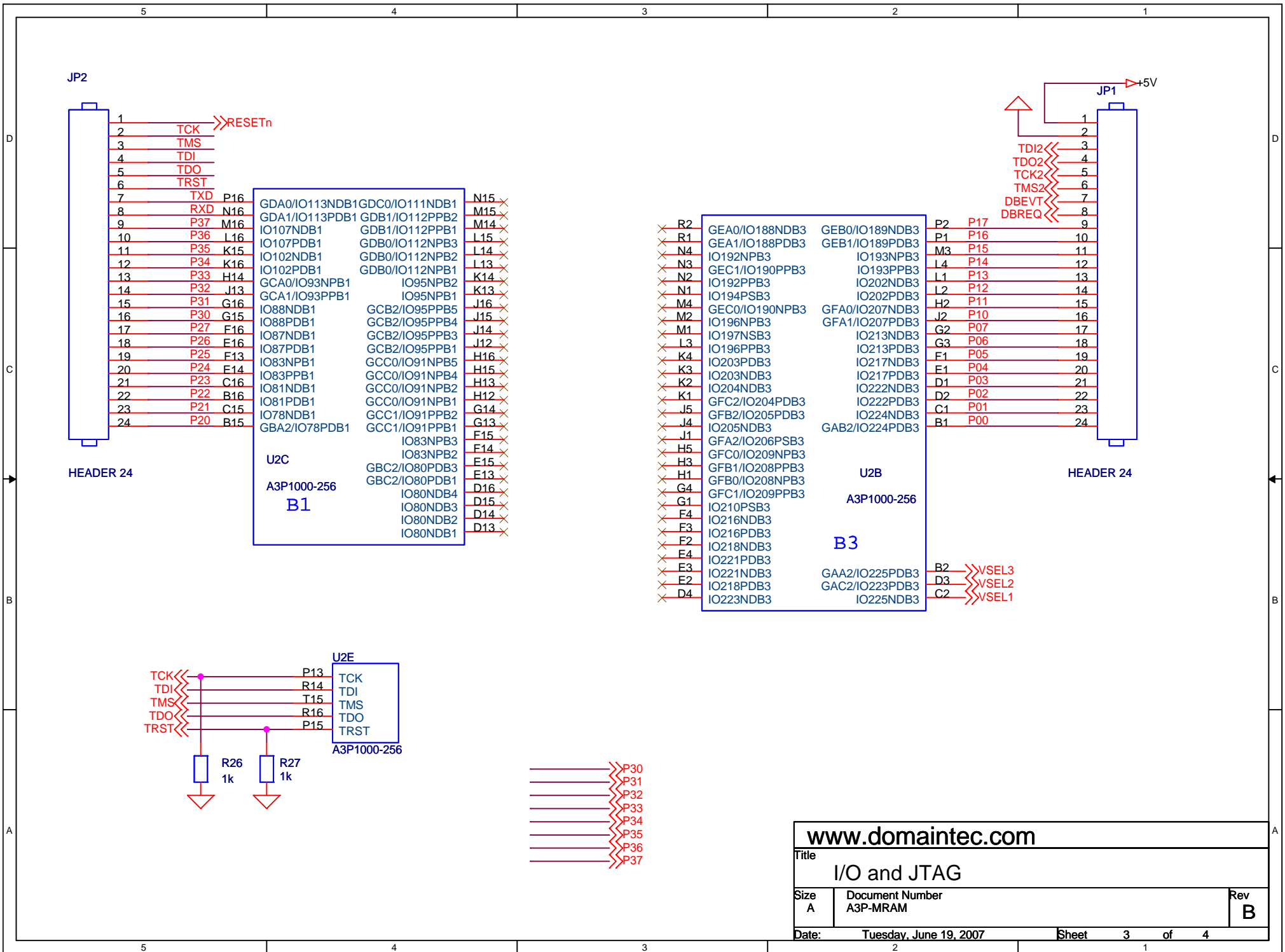
www.domaintec.com

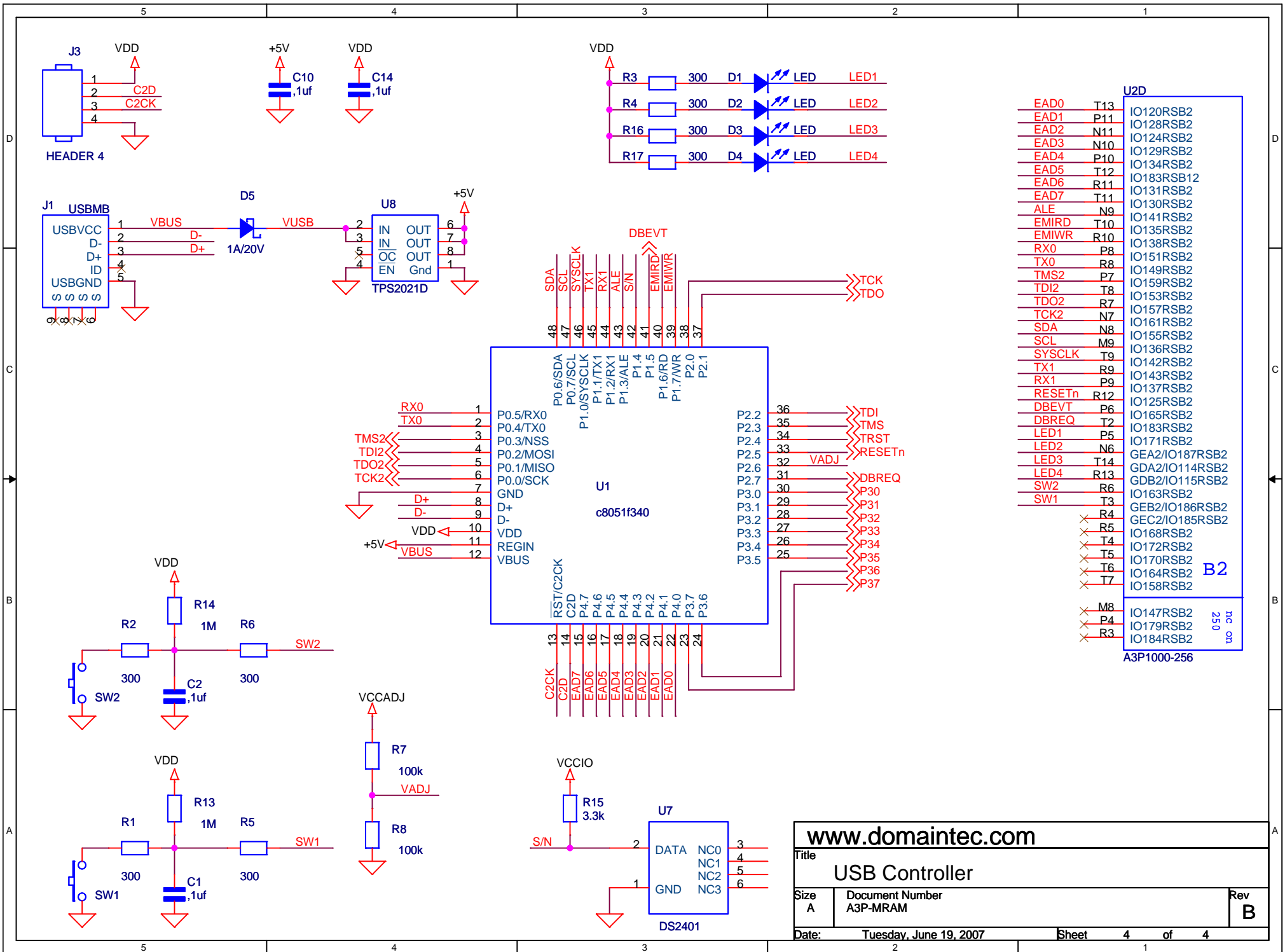
Title: **POWER**

Size: A	Document Number: A3P-MRAM	Rev: B
---------	---------------------------	--------

Date: Tuesday, June 19, 2007 Sheet 1 of 4







U2D

EAD0	T13	IO120RSB2
EAD1	P11	IO128RSB2
EAD3	N11	IO124RSB2
EAD3	N10	IO129RSB2
EAD4	P10	IO134RSB2
EAD5	T12	IO183RSB12
EAD6	R11	IO131RSB2
EAD7	T11	IO130RSB2
ALE	N9	IO141RSB2
EMIRD	T10	IO135RSB2
EMIWR	R10	IO138RSB2
RX0	P8	IO151RSB2
TX0	R8	IO149RSB2
TMS2	P7	IO159RSB2
TDI2	T8	IO153RSB2
TDO2	R7	IO157RSB2
TCK2	N7	IO161RSB2
SDA	N8	IO155RSB2
SCL	M9	IO136RSB2
SYCLK	T9	IO142RSB2
TX1	R9	IO143RSB2
RX1	P9	IO137RSB2
RESETn	R12	IO125RSB2
DBEVT	P6	IO165RSB2
DBREQ	T2	IO183RSB2
LED1	P5	IO171RSB2
LED2	N6	GEA2/IO187RSB2
LED3	T14	GDA2/IO114RSB2
LED4	R13	GDB2/IO115RSB2
SW2	R6	IO163RSB2
SW1	T3	GEB2/IO186RSB2
	R4	GEC2/IO185RSB2
	R5	IO168RSB2
	T4	IO172RSB2
	T5	IO170RSB2
	T6	IO164RSB2
	T7	IO158RSB2
	M8	IO147RSB2
	P4	IO179RSB2
	R3	IO184RSB2

B2
inc on
250

A3P1000-256

www.domaintec.com

Title: **USB Controller**

Size: A	Document Number: A3P-MRAM	Rev: B
---------	---------------------------	--------

Date: Tuesday, June 19, 2007 Sheet 4 of 4